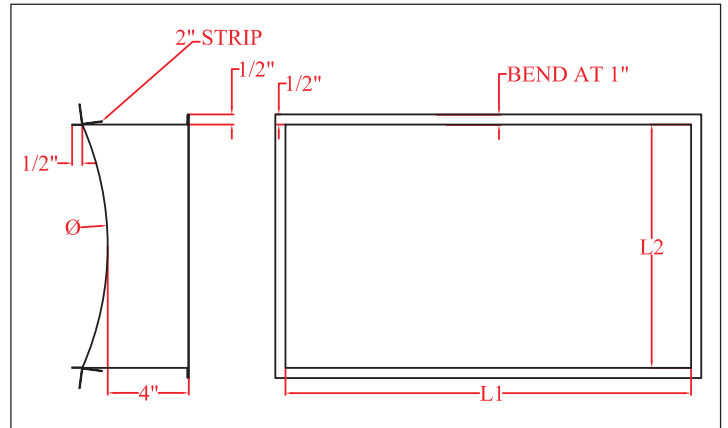


Square Cap

Code: CASC

Galvanized square cap sizes 26,24,22 and 20 according to the dimensions.(Also available in light line)

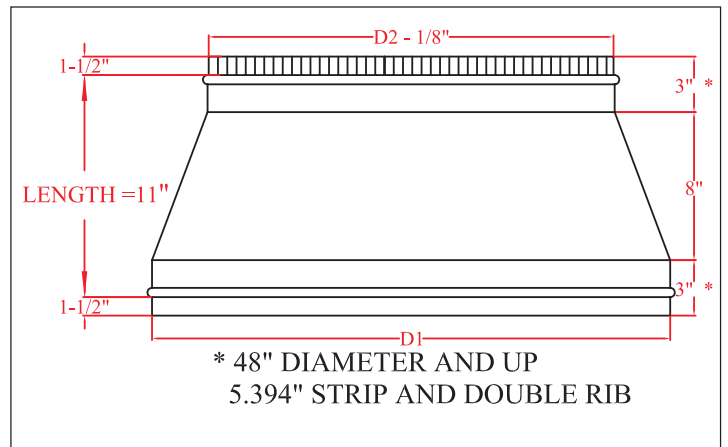


L1 and L2 = Sides square duct.

Measurements are in inches, available in sizes from 6 "to 48" in 2 ".



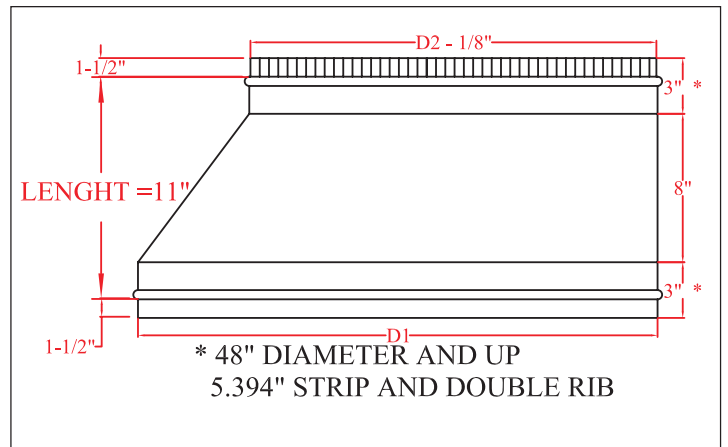
Concentric



* 48" DIAMETER AND UP
 5.394" STRIP AND DOUBLE RIB



Eccentric



* 48" DIAMETER AND UP
 5.394" STRIP AND DOUBLE RIB

Round Reduction

Code: RC & RE

Concentric and Eccentric reduction of galvanized sheet, gauges 26,24,22 and 20 according to size. Ductliner insulation (optional).

D1 = D2 = diameter larger and smaller diameter.
 Measurements are in inches, available in sizes from 4 "to 60" in 2 ".

AIR DISTRIBUTION PRODUCTS

SPIRO DUCT + FITTINGS + GRILLES + DIFFUSERS + FILTERS + FLEXIBLE DUCT + ACCESSORIES

Verbet reserve the right of making any change without any prior notice.