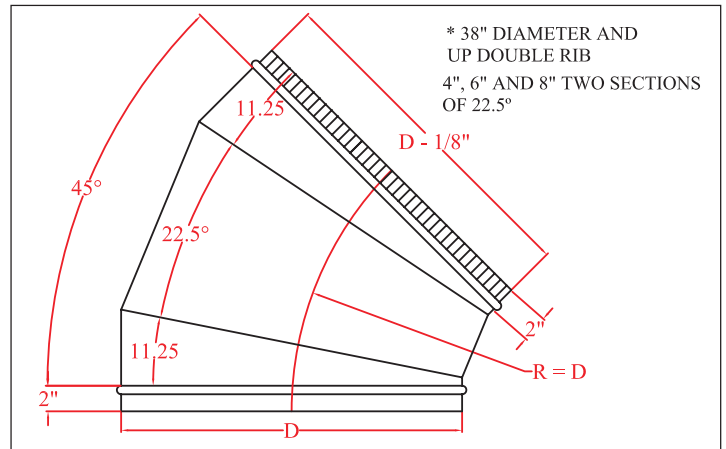


ROUND FITTINGS



Round 45° Elbow

Clave: COD45 Round 45° Elbow gauge 26,24,22 and 20, galvanized steel. (Thickness recommended by SMACNA). Ductliner insulation (optional).

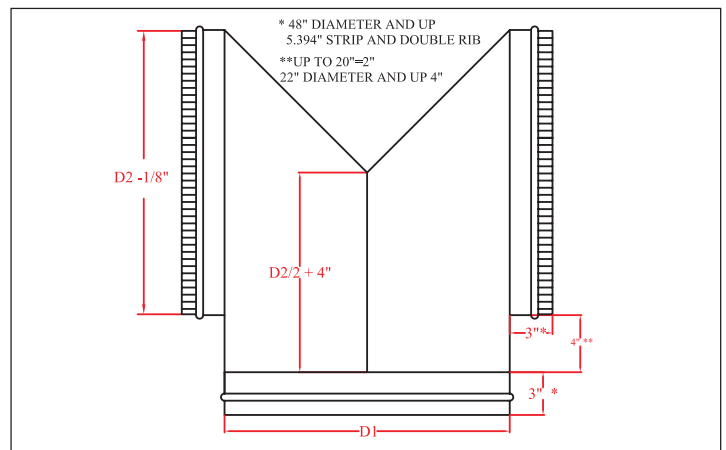


D= diameter of the duct and the radius from the center = diameter of the duct.



Original Tee

Code: TEO "T" original gauge galvanized steel 26,24,22 and 20 according to the dimensions. (thickness recommended by SMACNA). Ductliner insulation (optional).

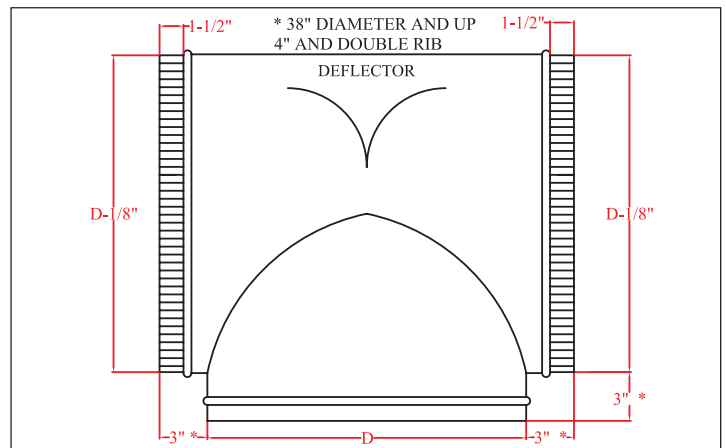


D1 = Diameter of the main duct.  
 Measurements are in inches.



Eco Tee

Code: Tee "T" economic galvanized steel gauge 26,24,22 and 20, depending on the size. Ductliner insulation (optional).



D= Duct Diameter.

**AIR DISTRIBUTION PRODUCTS**

SPIRO DUCT + FITTINGS + GRILLES + DIFFUSERS + FILTERS + FLEXIBLE DUCT + ACCESSORIES

Verbet reserve the right of making any change without any prior notice.