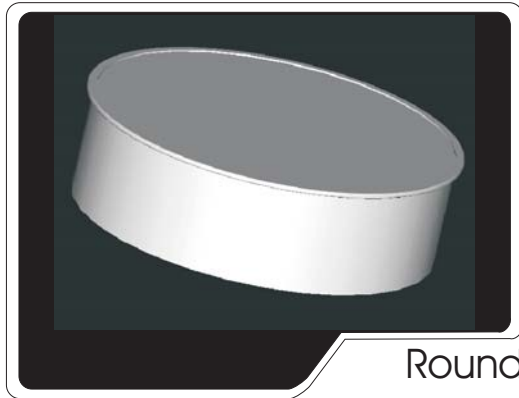


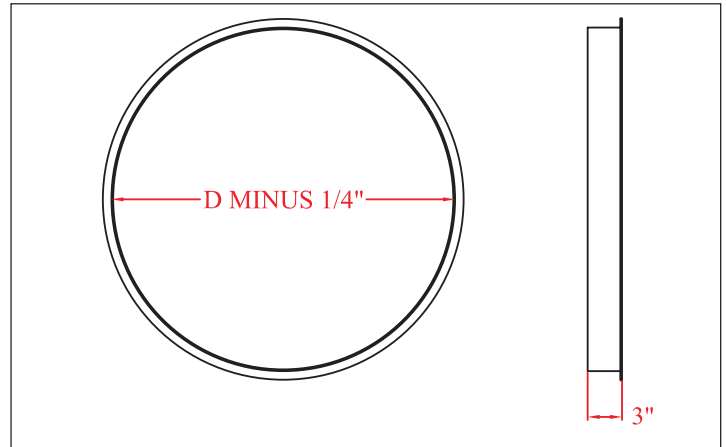
ROUND FITTINGS



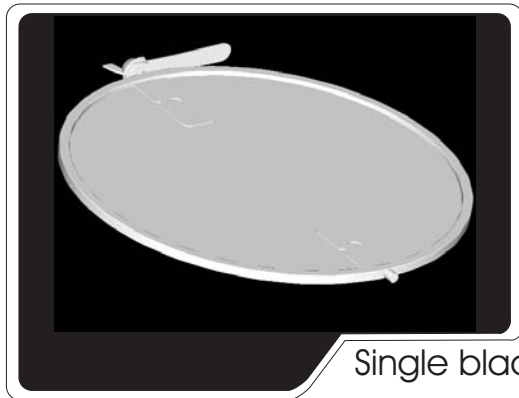
Round end cap

Code: TAP

Round end cap in galvanized sheet, gauges 30, 26, 24, 22 and 20 (thickness recommended by SMACNA).



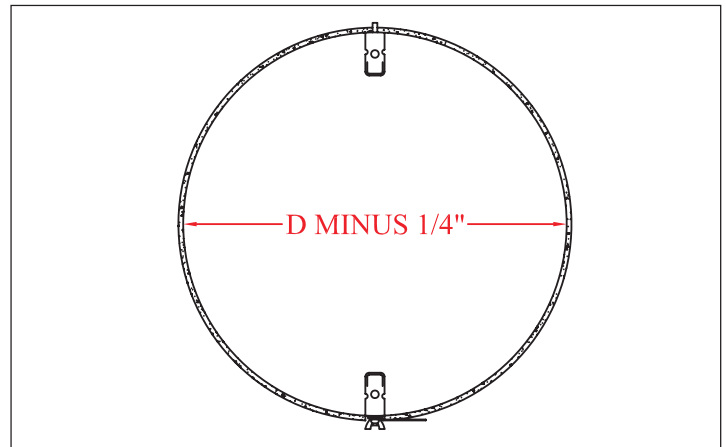
D=Principal duct diameter. Units are inches, available in sizes from 4" up to 60" in 2" intervals.



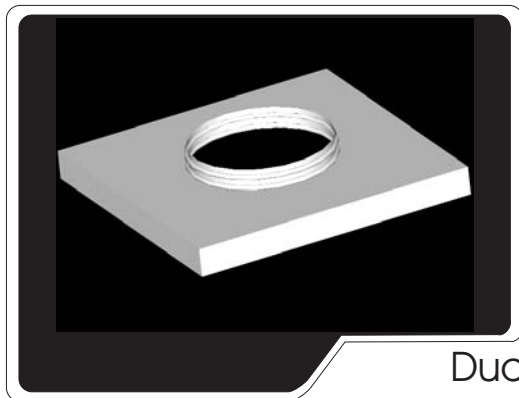
Single blade damper

Code: MAR

Single blade damper (with hardware). Gauges 26 and 24 depending on diameter.



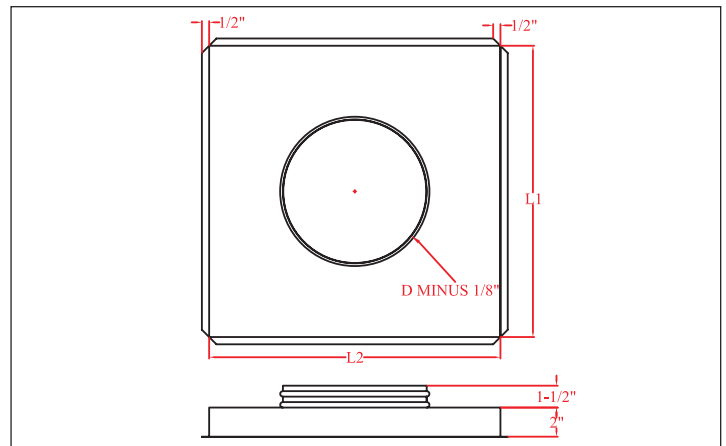
D=Duct diameter. Units are in inches, available in sizes from 4" up to 36" in 2" intervals.



Duct adapter

Code: ADA

Adapter for round duct into a squared one.



D=Duct diameter, L1 and L2= Box dimensions.

AIR DISTRIBUTION PRODUCTS

SPIRO DUCT + FITTINGS + GRILLES + DIFFUSERS + FILTERS + FLEXIBLE DUCT + ACCESSORIES

Verbet reserve the right of making any change without any prior notice.