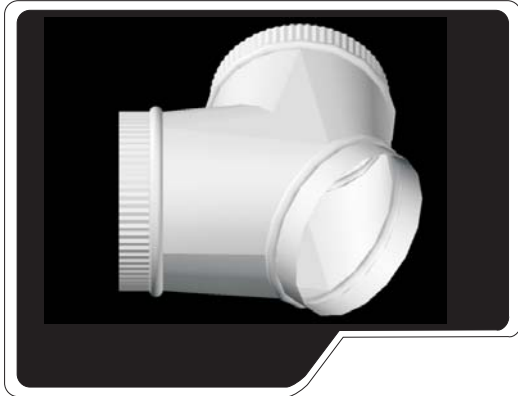
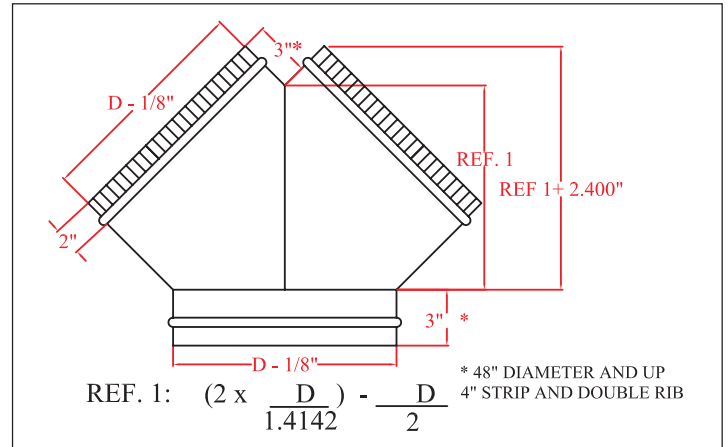


ROUND FITTINGS



"Y"

Code: YEO  
 "Y" 26 gauge galvanized steel, 24.22 and 20 depending on the size.  
 (Thickness recommended by SMACNA).

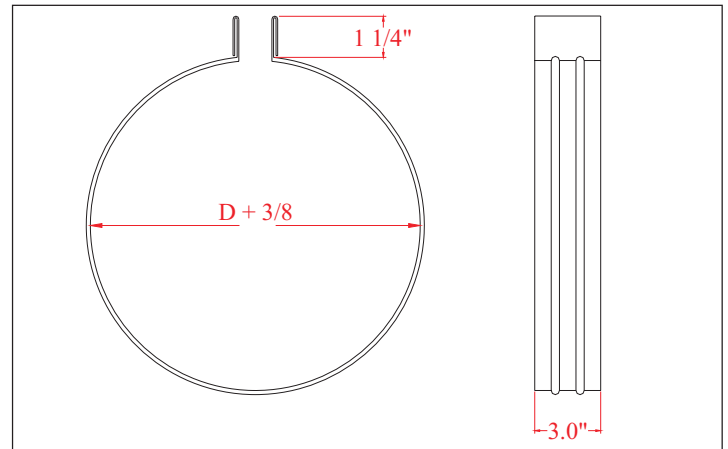


D1 = diameter of the main duct. Measurements are in inches. Available in sizes from 4 "to 60" in 2 ".



Round Hanger

Code: COP  
 Galvanized steel hanger, gauges 26, 24 and 22, depending on the size. Ductliner insulation(optional).

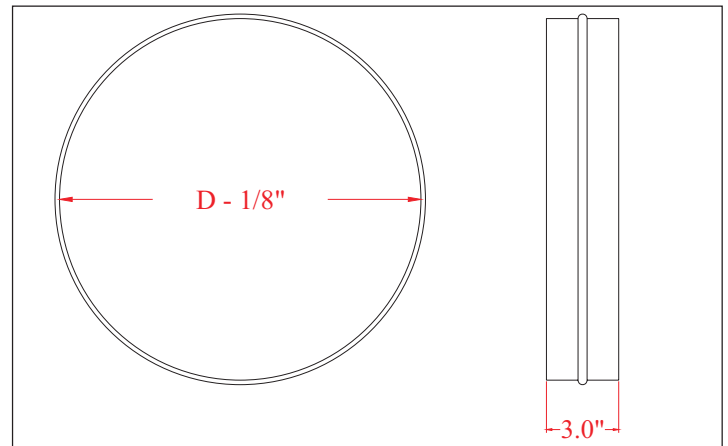


D = Diameter of the duct. Measurements are in inches. Available in sizes from 4 "to 60" in 2 ".



Round Coupling

Clave: NIP  
 Galvanized steel coupling gauges 26, 24 and 22 depending on the size. Ductliner insulation (optional).



D=Duct Diameter.

**AIR DISTRIBUTION PRODUCTS**

SPIRO DUCT + FITTINGS + GRILLES + DIFFUSERS + FILTERS + FLEXIBLE DUCT + ACCESSORIES

Verbet reserve the right of making any change without any prior notice.